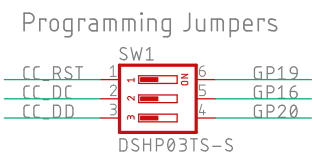
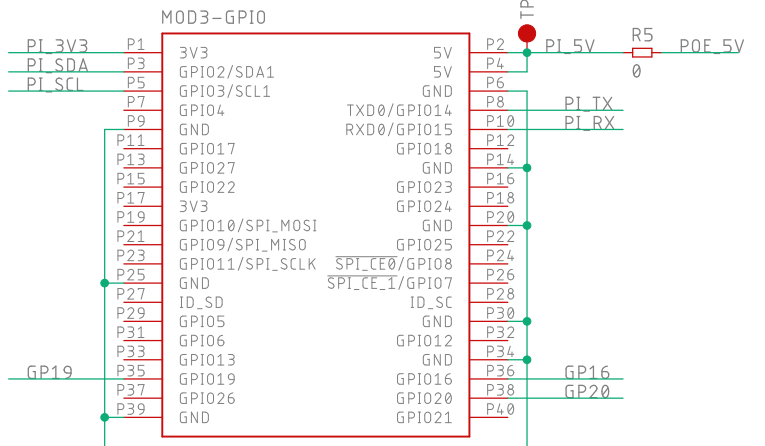
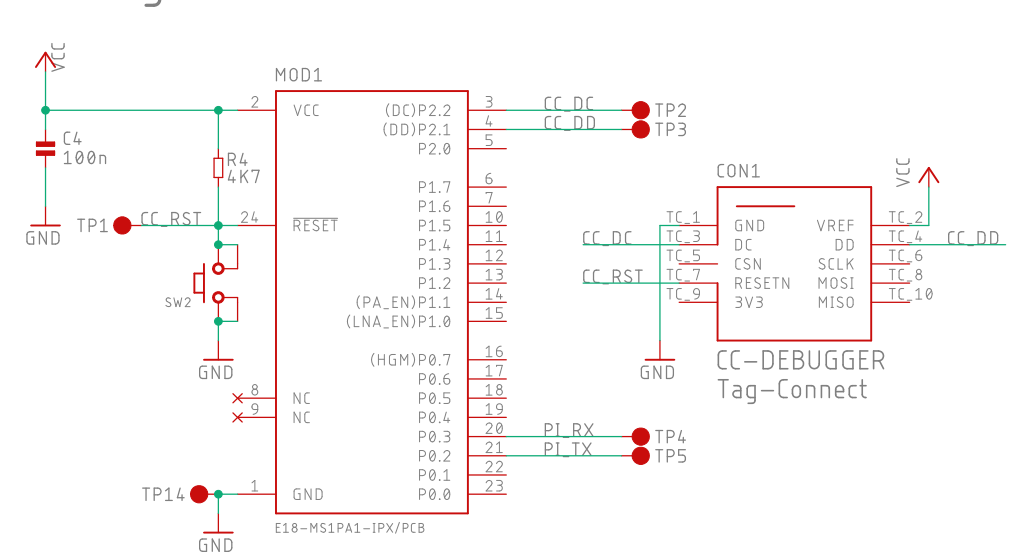


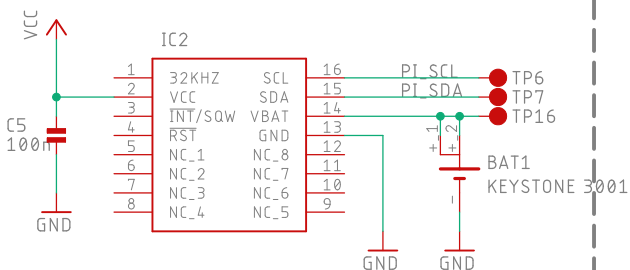
Pi GPIO



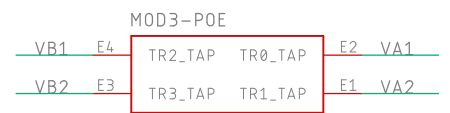
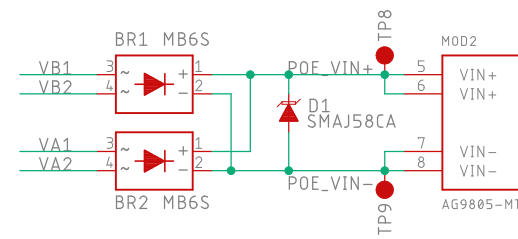
Zigbee Module



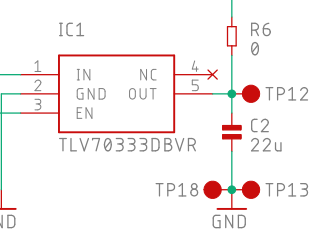
RTC



PoE Power



3V3 LDO



Zigbee w/ PoE + RTC
<http://electrolama.com/p/zoe>



Revision C
 pi-zigbee-poe-rtc
 02/01/2020 19:23
 Sheet: 1/1